

6X6 - 10 FT STAND INSULATED BLIND



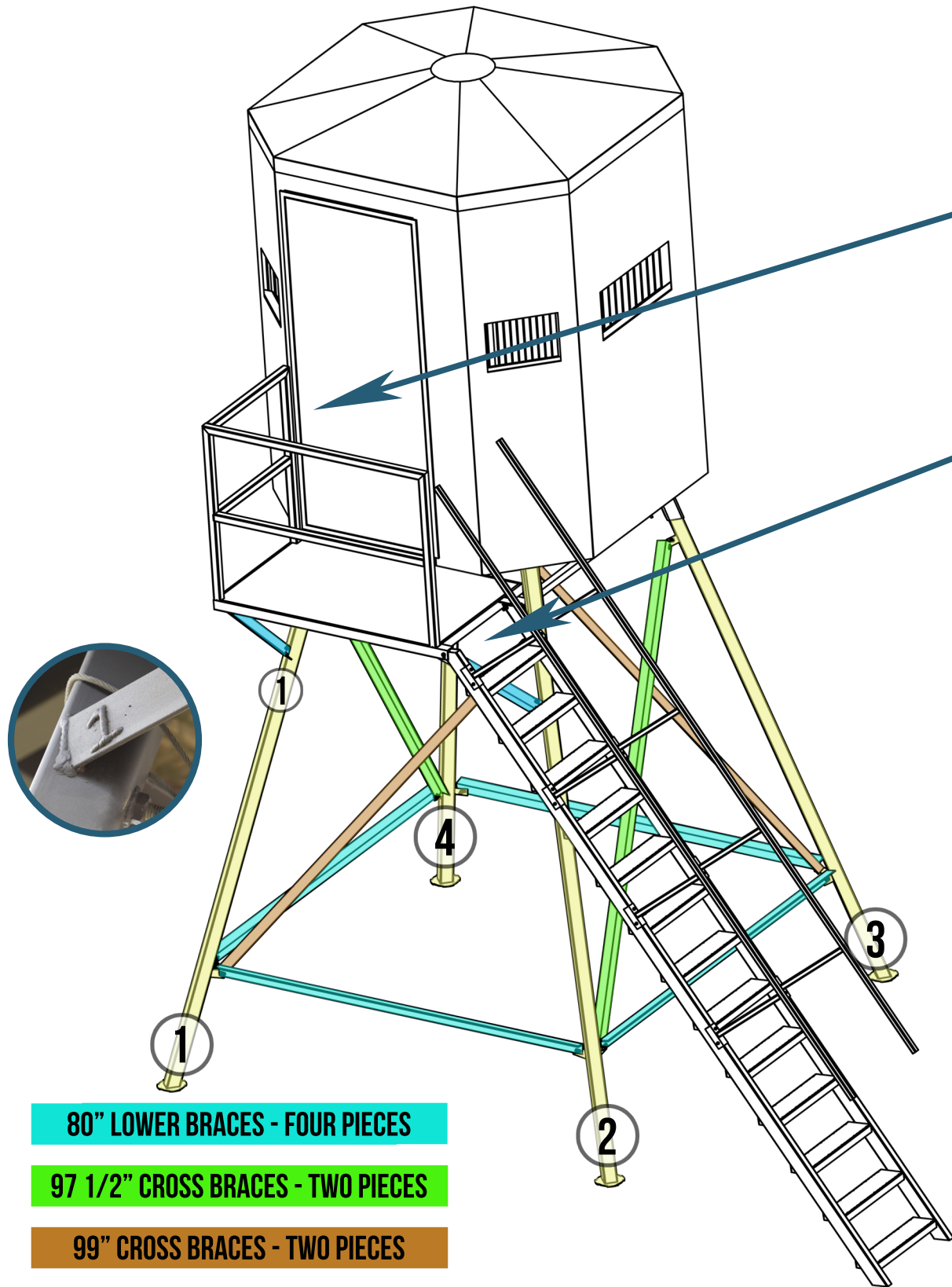
SCAN FOR
INSTRUCTIONS

800-763-7320
RANCHKINGBLINDS.COM

KIT BAG CONTENTS

- 20 - 1 1/4" x 3/8" BOLTS
- 2 - 2 1/2" x 3/8" BOLTS
- 22 - 3/8" LOCK NUTS
- 4 - 3/8" WASHERS
- 16 - 3/4" SELF-TAPPING SCREWS
- 4 - LADDER END CAPS

6X6 - 10 FT STAND INSULATED BLIND



80" LOWER BRACES - FOUR PIECES

97 1/2" CROSS BRACES - TWO PIECES

99" CROSS BRACES - TWO PIECES

120" NUMBERED BLIND LEGS

43" PLATFORM BRACES - TWO PIECES

○ LEGS ARE MARKED AND INSTALLED WITH THE LEG NUMBER ON THE LEG AND BASE

- Raise blind and slide in legs, make sure legs are in all the way, tighten T-Handle
- Lower to 2" off the ground
- Install all braces, leave 3/8 bolts and lock nuts loose at this time
- Set blind on a level surface, pull out all legs to settle the blind into it's final position
- Tighten all bolts
- Raise platform and install five 3/8" bolts, level platform by setting equal gap between vertical railing and the blind.
- Install 43" braces from Leg One and Leg Two to platform using 3/8 bolts and lock nuts
- Attached ladder to platform using 2 1/2" x 3/8 bolts. Be sure to install bolt threads towards the outside, then keeps bolts from creating a tripping hazard.
- Install left and right ladder hand rails with 3/4" self-tapping screws
- Push in plastic ladder end caps on each end of the ladder rails