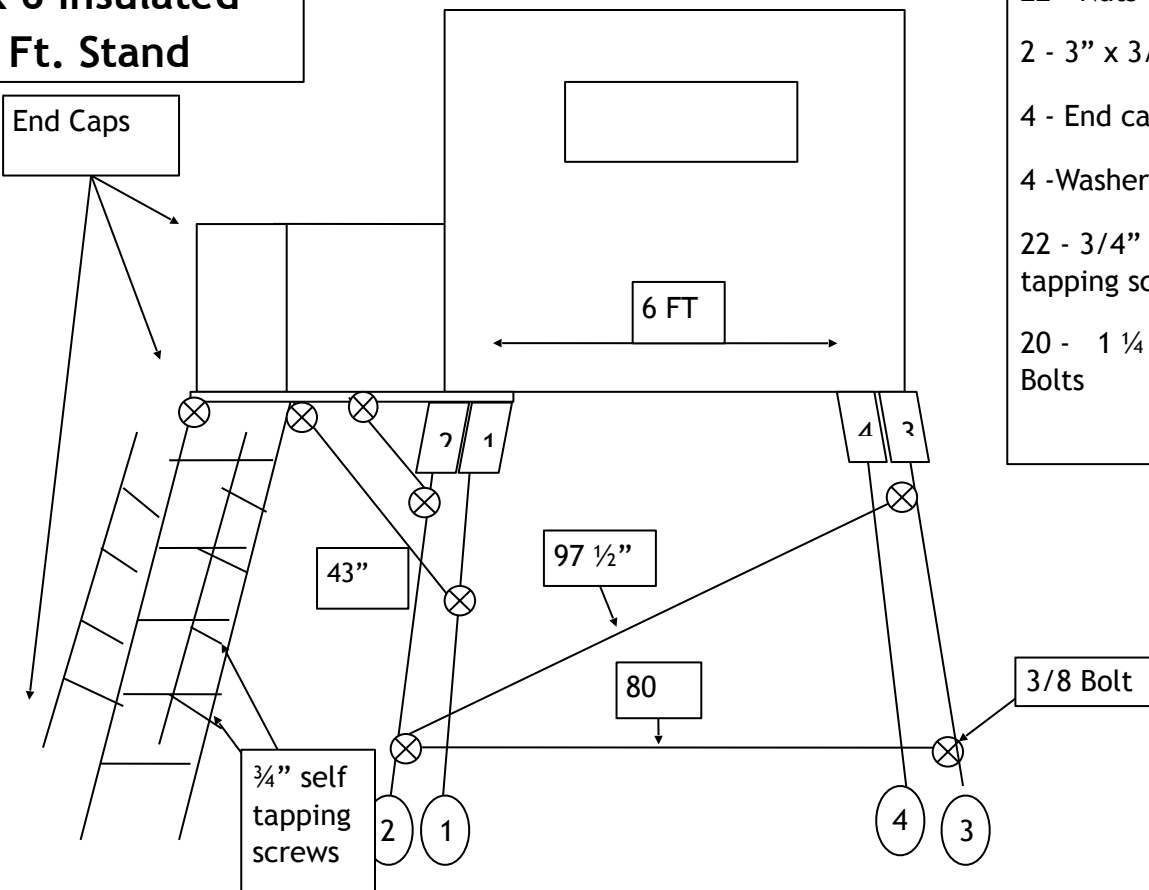


6 x 6 Insulated 10 Ft. Stand

End Caps



22 - Nuts

2 - 3" x 3/8" Bolts

4 - End caps

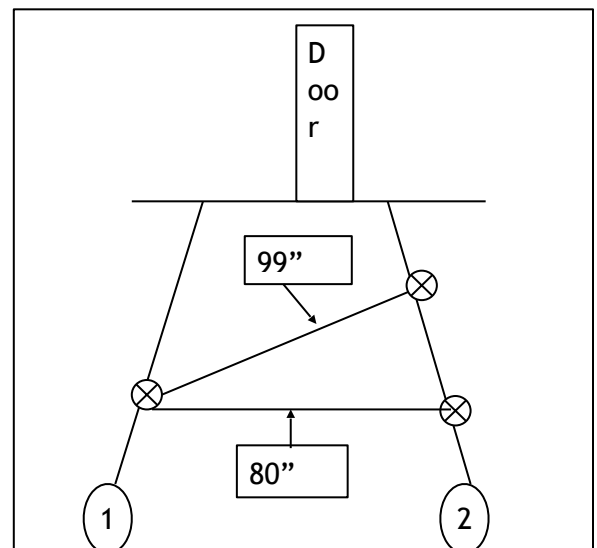
4 - Washers

22 - 3/4" self
tapping screws

20 - 1 1/4" x 3/8"
Bolts

Braces: 4) 80" 2) 97 1/2" 2) 43" & 2) 99

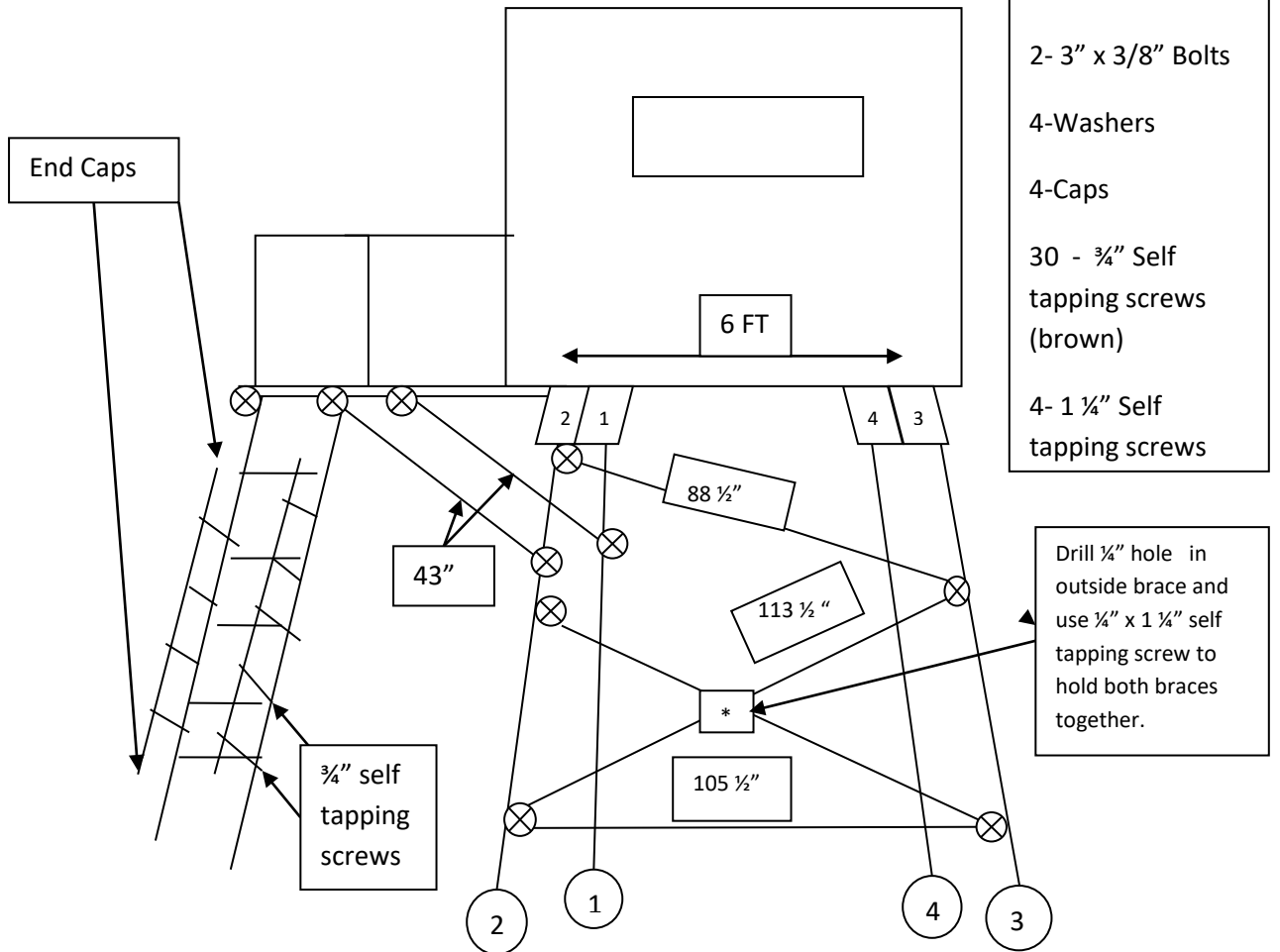
- Raise blind and slide in Legs (Make sure leg is in all the way)
- Lower 2" Off Ground
- Install All Braces (Leave Loose)
- Set blind on Level surface
- Pull out on All Legs to Settle The Blind
- Tighten All Bolts
- Raise Platform Install 5- 3/8" Bolts
- Install 43" braces from leg#1 & #2 to Platform using 3/8" bolt.
- Use 6 of the 3/4" self tapping screws for the top step extension.



TOOLS NEEDED

- 9/16" Wrench
- 9/16" Socket and Ratchet
- 3/8 and 5/16 Hex Tips

**6 x 6 Insulated
15 Ft. Stand**



- 28- 1 1/4" x 3/8" Bolts
- 30-Nuts
- 2- 3" x 3/8" Bolts
- 4-Washers
- 4-Caps
- 30 - 3/4" Self tapping screws (brown)
- 4- 1 1/4" Self tapping screws

Drill 1/4" hole in outside brace and use 1/4" x 1 1/4" self tapping screw to hold both braces together.

3/4" self tapping screws

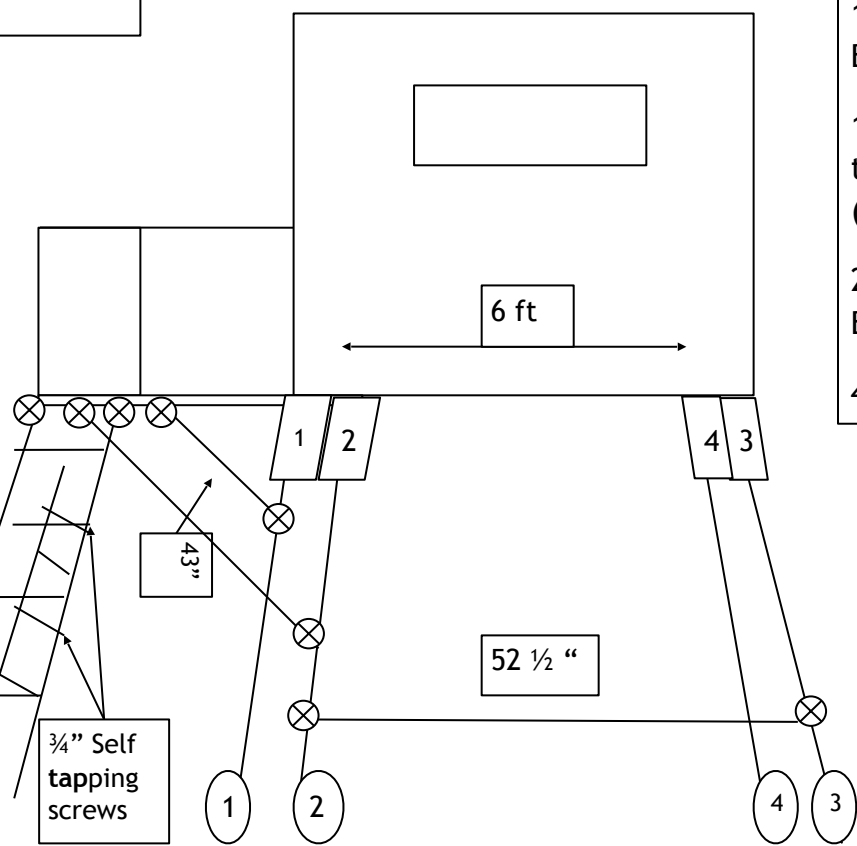
- Raise blind and slide in Legs (Make sure leg is in all the way)
- Lower 2" Off Ground
- Install All Braces (Leave Loose)
- Set blind on Level surface
- Pull out on All Legs to Settle The Blind
- Tighten All Bolts
- Raise Platform Install 5- 3/8" Bolts
- Install 43" braces from leg#1 & #2 to Platform using 3/8" bolt.
- Use 6 of the 3/4" self tapping screws for the top step extension.
- Left & Right handrail for ladder install with self tapping screws.
- ⊗ -- Marks 1" x 3/8" Bolts
- *- Marks 1 1/4" Self Tapping Screws
- 6- 3/4" self tapping screws are for the top step extension.
- Staircase takes 3" Bolts w/washers

Braces: 4- 88 1/2", 8- 113 1/2", 4- 105 1/2", 2- 43"

- TOOLS NEEDED**
- 9/16" Wrench
 - 9/16" Socket and Ratchet
 - 3/8 and 5/16 Hex Tips
 - Cordless Drill

6 x 8 -5 Ft.

End Caps

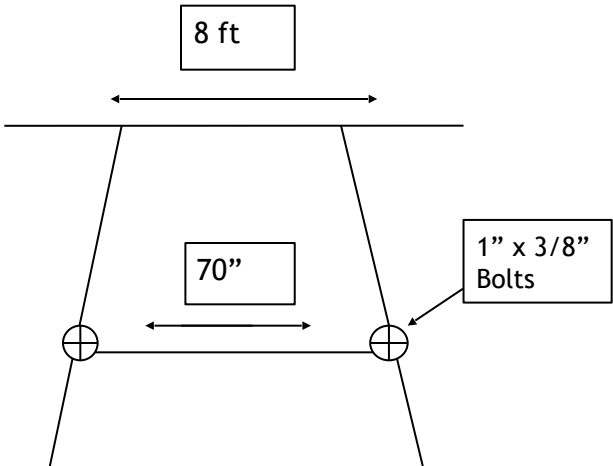


- 4 - End Caps
- 17 - 1 1/4 " x 3/8" Bolts
- 14 - 3/4" self tapping screws (brown)
- 2 - 3" x 3/8" Bolts
- 4 - Washers

" Braces: 2 - 52 1/2 " , 2 - 70" & 2 - 43"
Legs are numbered on bottom to match.

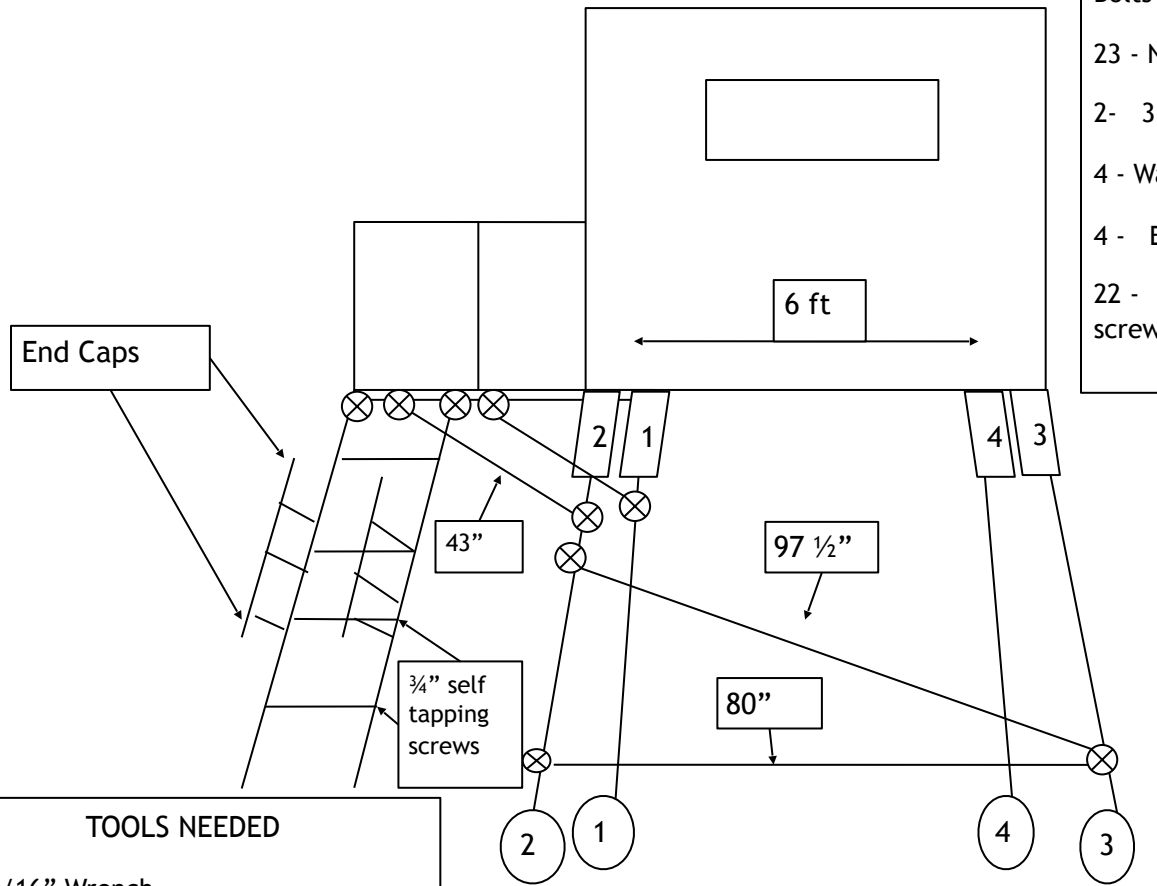
- TOOLS NEEDED**
- 9/16" Wrench
 - 9/16" Socket and Ratchet
 - 3/8 and 5/16 Hex Tips

- Raise blind and slide in Legs (Make sure leg is in all the way)
- Lower 2" Off Ground
- Install All Braces (Leave Loose)
- Set blind on Level surface
- Pull out on All Legs to Settle The Blind
-  Tighten All Bolts
- Raise Platform Install 5- 3/8" Bolts
- Install 43" braces from leg#1 & #2 to Platform using 3/8"



6 x 8 - 10 Ft. Stand

- 21- 1 1/4" x 3/8" Bolts
- 23 - Nuts
- 2- 3" x 3/8" Bolts
- 4 - Washers
- 4 - End Caps
- 22 - 3/4" self tapping screws (brown)

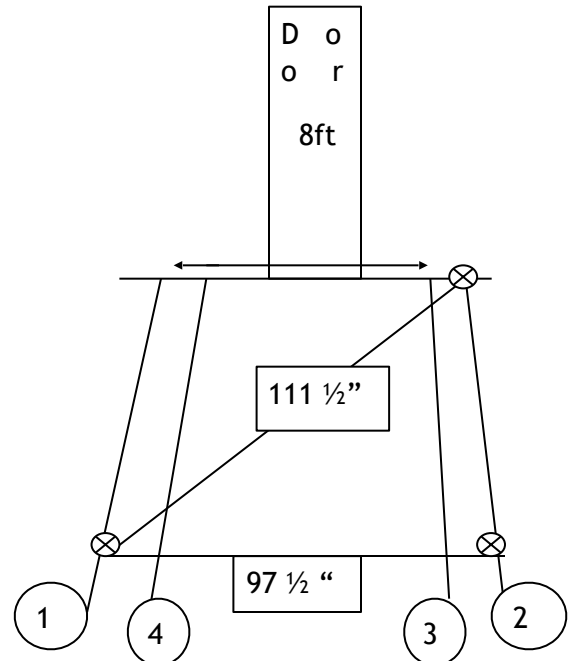


TOOLS NEEDED

- 9/16" Wrench
- 9/16" Socket and Ratchet
- 3/8 and 5/16 Hex Tips

Braces: 2 - 80", 4 - 97 1/2", 2 - 111 1/2" & 2

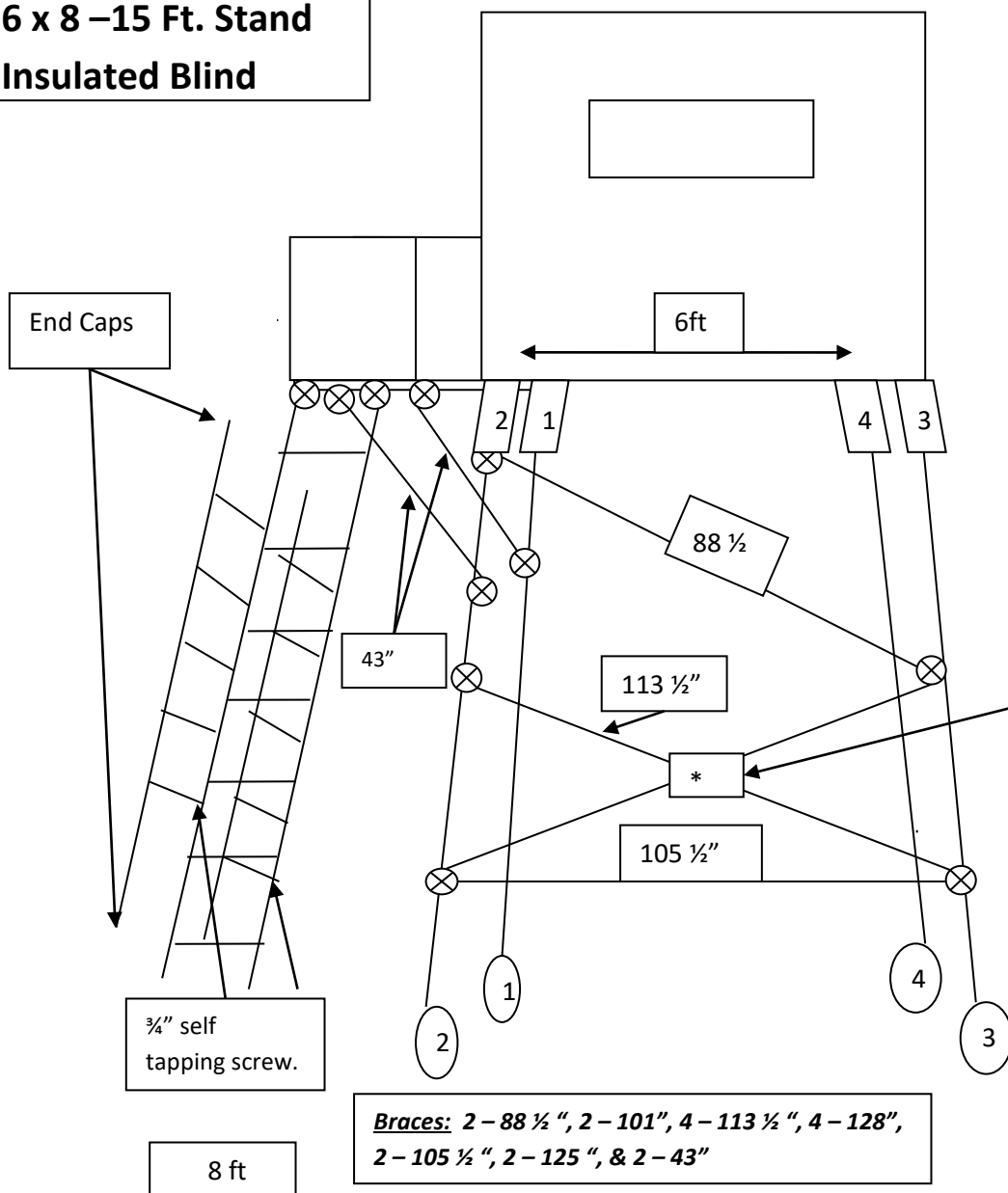
- Raise blind and slide in Legs (Make sure leg is in all the way)
- Lower 2" Off Ground
- Install All Braces (Leave Loose)
- Set blind on Level surface
- Pull out on All Legs to Settle The Blind
- Tighten All Bolts
- Raise Platform Install 5- 3/8" Bolts
- Install 43" braces from leg #1 & #2 to Platform using 3/8"



8 ft side Base measurement from leg #1 to leg #2 & Leg #3 to Leg #4 - 122"

**6 x 8 –15 Ft. Stand
Insulated Blind**

End Caps

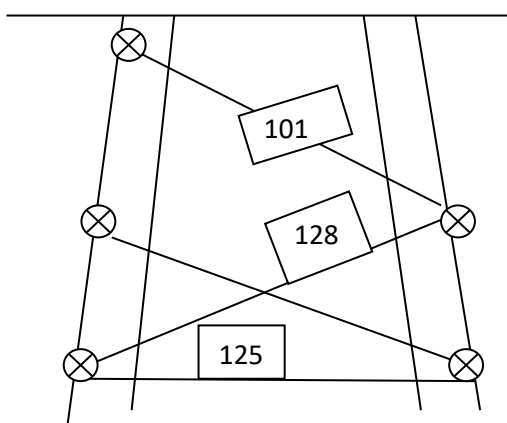


- 29- 1 1/4" x 3/8" Bolts
- 31- Nuts
- 2- 3" x 3/8" Bolts
- 4- Washers
- 4- End Caps
- 34-3/4" self tapping screw (brown)
- 4- 1/4 x 1 1/4 self tapping screw (silver)

Drill 1/4" hole in outside brace and use 1/4" x 1 1/4" self tapping screw to hold both braces together.

- TOOLS NEEDED**
- 9/16" Wrench
 - 9/16" Socket and Ratchet
 - 3/8 and 5/16 Hex Tips
 - Cordless Drill

Braces: 2 - 88 1/2", 2 - 101", 4 - 113 1/2", 4 - 128", 2 - 105 1/2", 2 - 125", & 2 - 43"

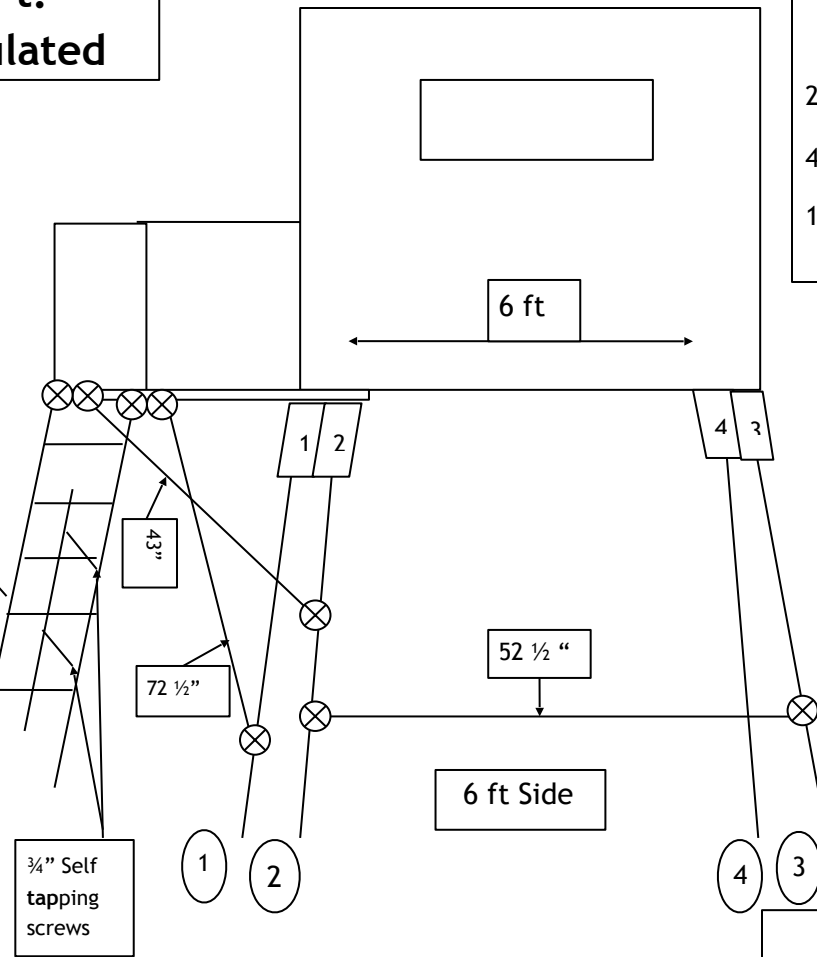


- Raise blind and slide in Legs (Make sure leg is in all the way)
- Lower 2" Off Ground
- Install All Braces (Leave Loose)
- Set blind on Level surface
- Pull out on All Legs to Settle The Blind
- Tighten All Bolts
- Raise Platform Install 5- 3/8" Bolts
- Install 43" braces from leg#1 & #2 to Platform using 3/8" bolt.
- Use 6 of the 3/4" self tapping screws for the top step extension.
- Left & Right handrail for ladder install with self tapping screws.
- ⊗ - Marks 1" x 3/8" Bolts.
- 6- 3/4" self tapping screws are for the top step extension.
- Staircase takes 3" Bolts w/washers

8' side base measurement leg #1 to #2 and #3 to #4 legs measures 141"
6' side base measurement leg #1 to 4 and #2 to #3 legs measures 121"(Complete pad-22'x14')

**6 x 10 -5 Ft.
Stand Insulated**

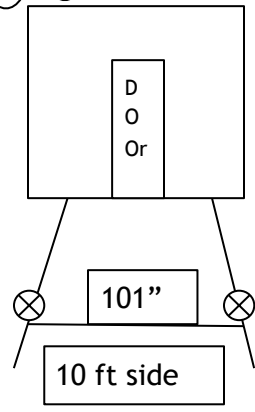
End Caps



- 4 - End Caps
- 17 - 1 1/4" x 3/8" Bolts
- 14 - 3/4" self tapping Screws (brown)
- 2 - 3"x 3/8" Bolts
- 4 - Washers
- 19 - Nuts

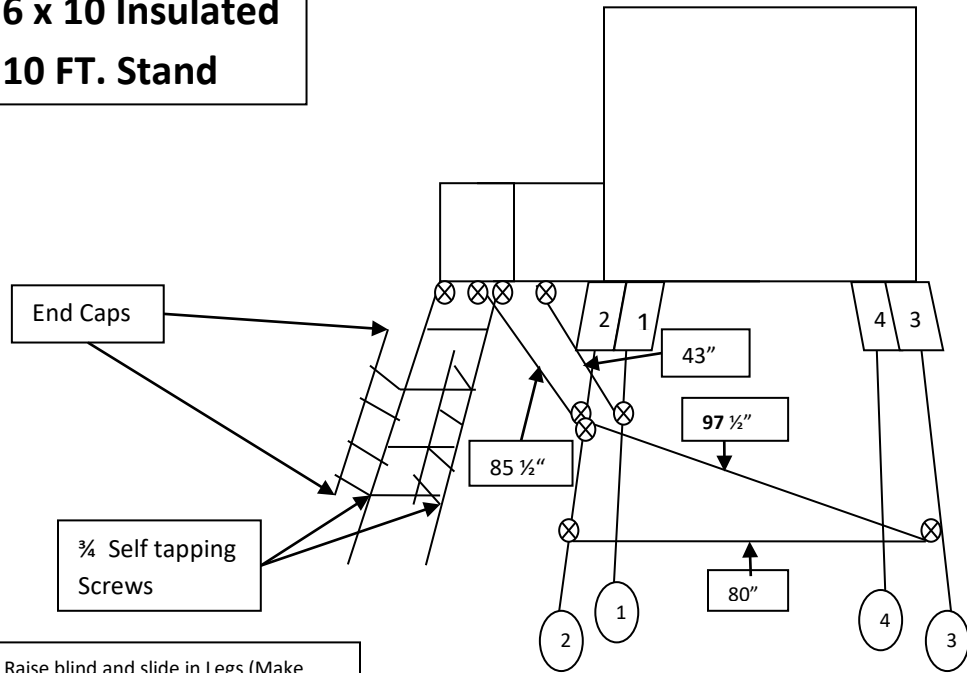
Braces: 2-52 1/2", 2 - 101", 1-72 1/2" & 1- 43"

- Raise blind and slide in Legs (Make sure leg is in all the way)
- Lower 2" Off Ground
- Install All Braces (Leave Loose)
- Set blind on Level surface
- Pull out on All Legs to Settle The Blind
- Tighten All Bolts
- Raise Platform Install 5- 3/8" Bolts
- Install 43" braces from leg#1 & 60" Brace from leg #2 to



- TOOLS NEEDED**
- 9/16" Wrench
 - 9/16" Socket and Ratchet
 - 3/8 and 5/16 Hex Tips

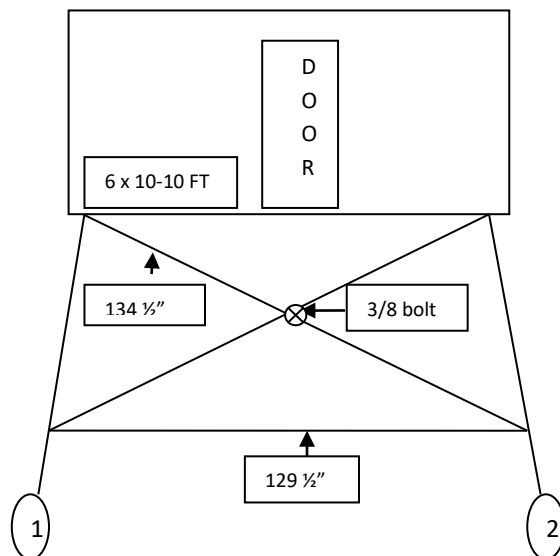
**6 x 10 Insulated
10 FT. Stand**



- 25- 1 1/4" x 3/8" Bolts
- 2 - 3" x 3/8" Bolts
- 27- Nuts
- 4- Washers
- 4- End Caps
- 22- 3/4" self tapping

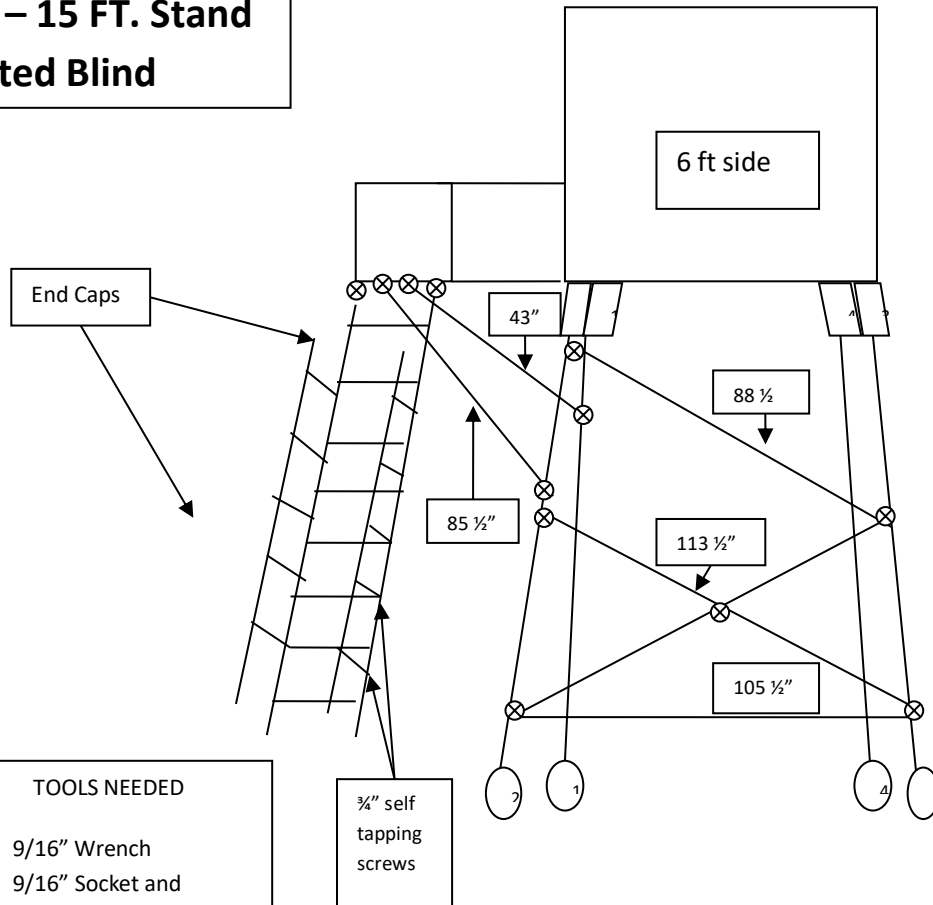
- Raise blind and slide in Legs (Make sure leg is in all the way)
- Lower 2" Off Ground
- Install All Braces (Leave Loose)
- Set blind on Level surface
- Pull out on All Legs to Settle The Blind
- Tighten All Bolts
- Raise Platform Install 5- 3/8" Bolts
- 85 1/2" Brace #1 Leg to Tab under Platform – 58" Brace #2 Leg to Hole on outside edge of platform.
- Use 6 of the 3/4" self tapping screws for the top step extension.
- ⊗ -Marks 1" x 3/8" Bolts.

***BRACES: 2-80", 2-97 1/2", 4- 134 1/2", 2-129 1/2",
1- 85 1/2" & 1-43"***



- TOOLS NEEDED**
- 9/16" Wrench
 - 9/16" Socket and Ratchet
 - 3/8 and 5/16 Hex Tips
 - Cordless Drill

6 x 10 – 15 FT. Stand Insulated Blind

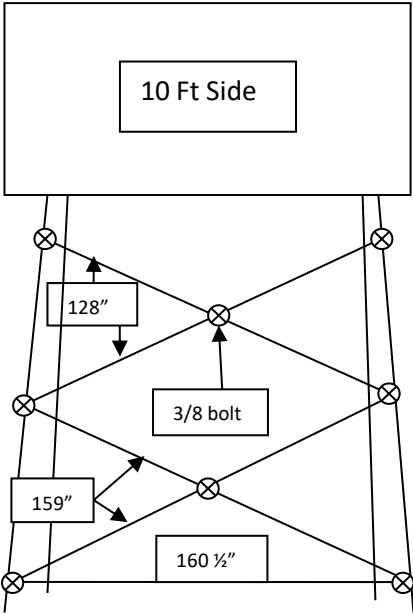


- 37 - 1" X 3/8" Bolts
- 39 - Nuts
- 4 - Washers
- 2 - 3" X 3/8" Bolts
- 34 - 3/4" self tapping screws (brown)
- 5 - 1/4" self tapping screws (silver)
- 4 - End Caps

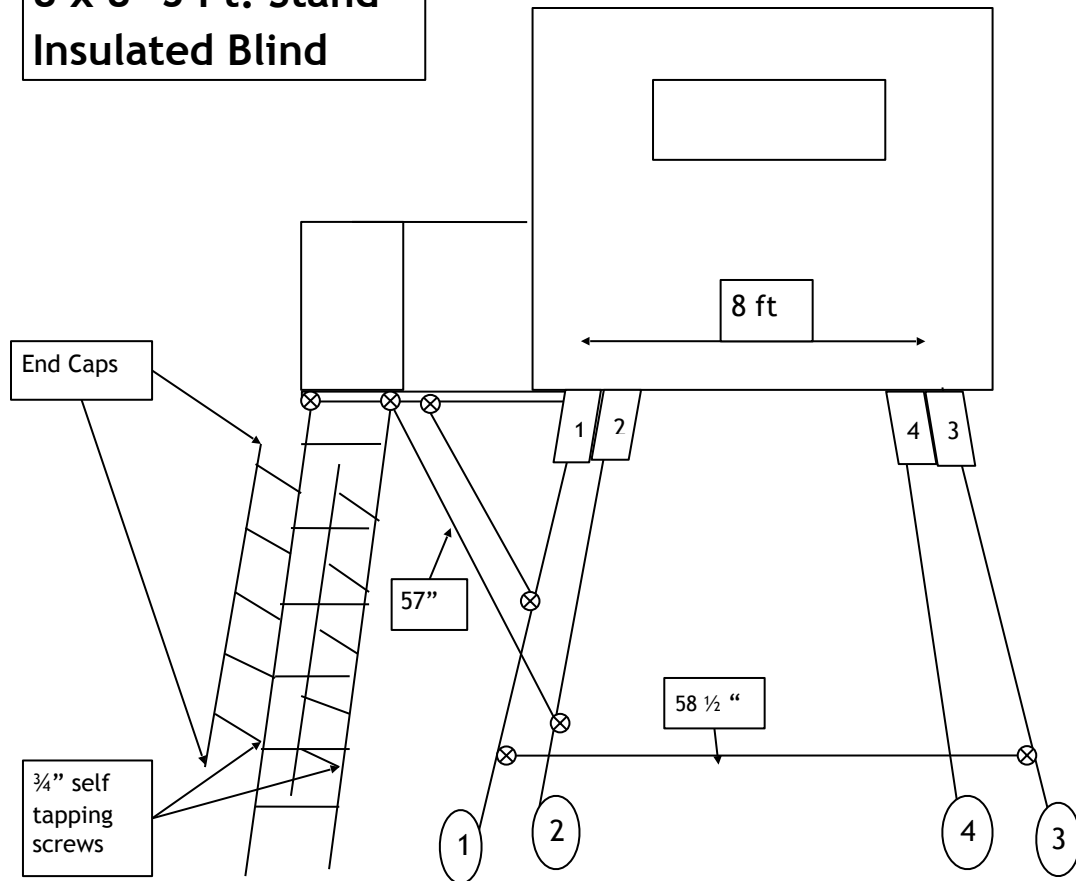
- TOOLS NEEDED**
- 9/16" Wrench
 - 9/16" Socket and Ratchet
 - 3/8 and 5/16 Hex Tips
 - Cordless Drill

Braces: 1-43", 1-85 1/2", 2-88 1/2", 2-105 1/2", 4-113 1/2", 4-128 1/2", 4-159", 2-160 1/2"

- Raise blind and slide in Legs
- Lower 2" Off Ground
- Install All Braces (Leave Loose)
- Set blind on Level surface
- Pull out on All Legs to Settle The Blind
- Tighten All Bolts
- Raise Platform Install 5- 3/8" Bolts
- Leg #1- 85 1/2" Brace to bottom of Platform
Leg #2-58" Brace to side of Platform
- Use 6 of the 3/4" self tapping screws for the top step extension.



8 x 8 -5 Ft. Stand Insulated Blind



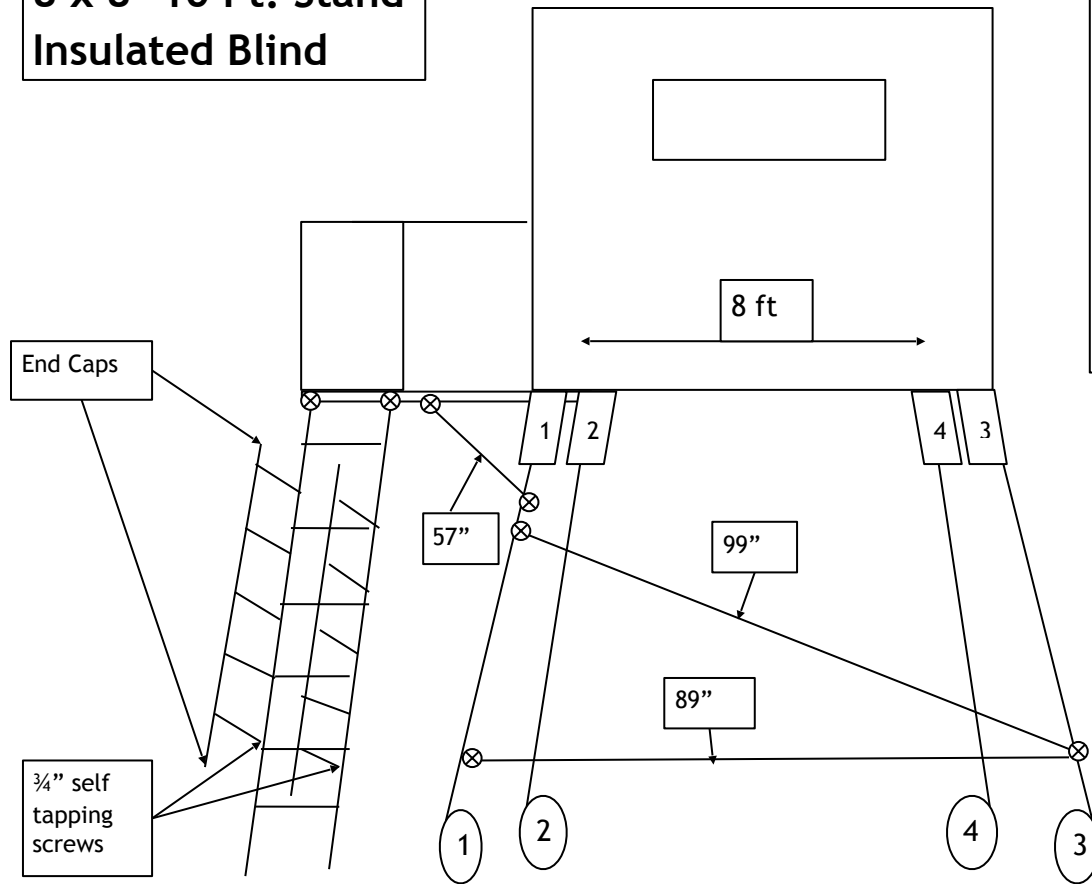
- 8- 1" x 1/2" Bolts
- 8- Nuts 1/2"
- 8- 1" x 3/8" Bolts
- 10 - 3/8" Nuts
- 2- 3"x 3/8" Bolts
- 14 - 3/4" self tapping screws (brown)
- 4 - Washers
- 4 - End Caps

- Raise blind and slide in Legs (Make sure leg is in all the way)
- Lower 2" Off Ground
- Install All Braces (Leave Loose)
- Set blind on Level surface
- Pull out on All Legs to Settle The Blind
- Tighten All Bolts
- Raise Platform Install 5- 1/2" Bolts
- Install 57" braces from leg #1 & #2 to Platform using 3/8" bolt.

TOOLS NEEDED

- 3/4" Wrench
- 3/4" Socket and Ratchet

**8 x 8 -10 Ft. Stand
Insulated Blind**



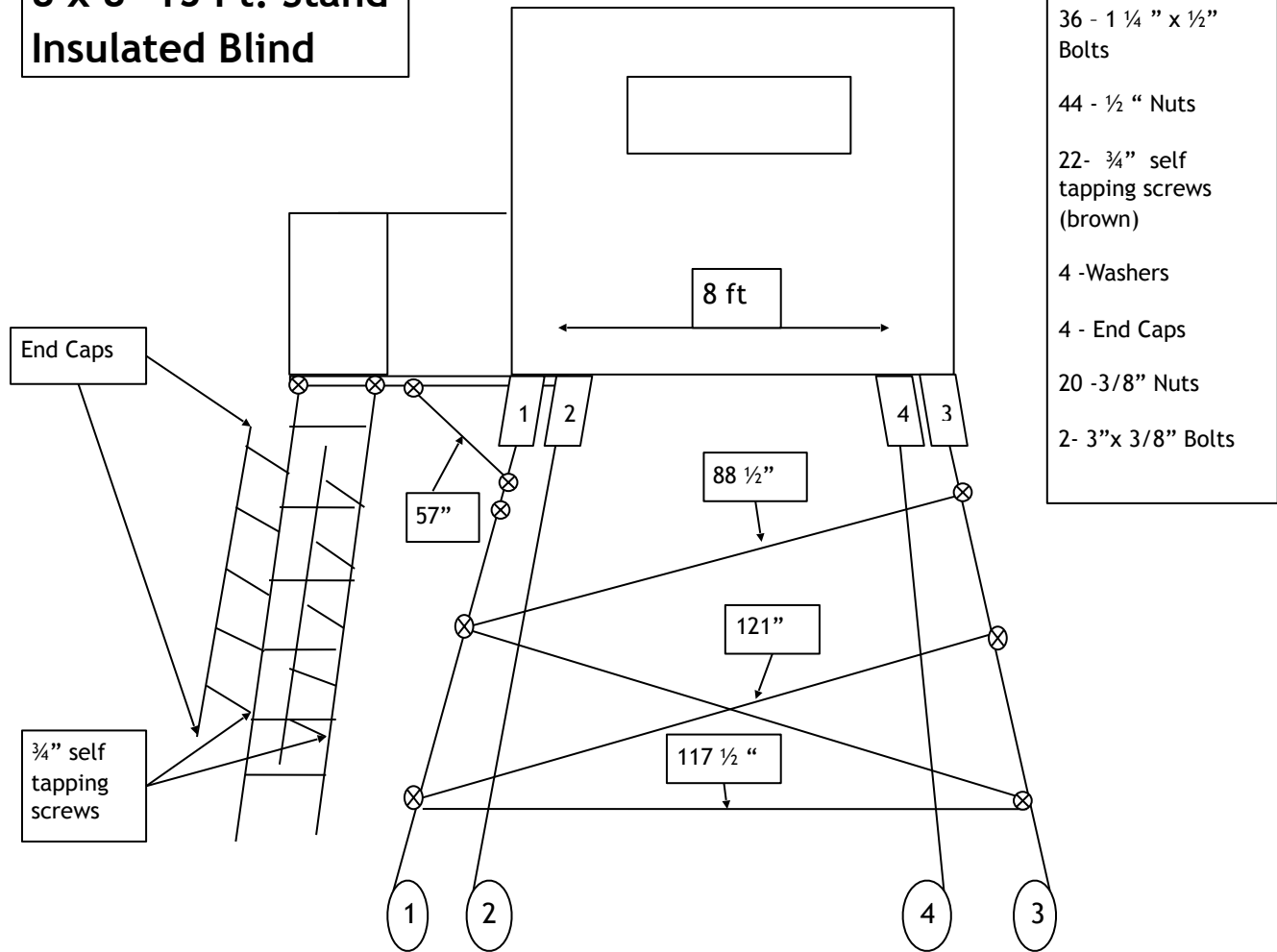
- 24- 1 1/4" x 1/2" Bolts
- 24- Nuts
- 22- 3/4" self tapping screws (brown)
- 4 - Washers
- 4 - End Caps
- 2- 3/8" Nuts

For Slab: 107 1/2" from center leg to center leg

- Raise blind and slide in Legs (Make sure leg is in all the way)
- Lower 2" Off Ground
- Install All Braces (Leave Loose)
- Set blind on Level surface
- Pull out on All Legs to Settle The Blind
- Tighten All Bolts
- Raise Platform Install 5- 1/2" Bolts
- Install 57" braces from leg#1 & #2 to Platform using 1/2" bolt.

- TOOLS NEEDED**
- 3/4" Wrench
 - 3/4" Socket and Ratchet

8 x 8 -15 Ft. Stand Insulated Blind



- 36 - 1 1/4" x 1/2" Bolts
- 44 - 1/2" Nuts
- 22- 3/4" self tapping screws (brown)
- 4 - Washers
- 4 - End Caps
- 20 - 3/8" Nuts
- 2- 3"x 3/8" Bolts

For Slab: 136 1/2" Center leg to Center Leg

Braces: 2 - 57", 4 - 88 1/2", 8 - 121" & 4 -

- Raise blind and slide in Legs (Make sure leg is in all the way)
- Lower 2" Off Ground
- Install All Braces (Leave Loose)
- Set blind on Level surface
- Pull out on All Legs to Settle The Blind
- Tighten All Bolts
- Raise Platform Install 5- 3/8" Bolts
- Install 57" braces from leg#1 & #2 to Platform using 3/8" bolt.

- TOOLS NEEDED**
- 3/4" Wrench
 - 3/4" Socket and Ratchet
 - 5/16 Hex Tips
 - Cordless Drill